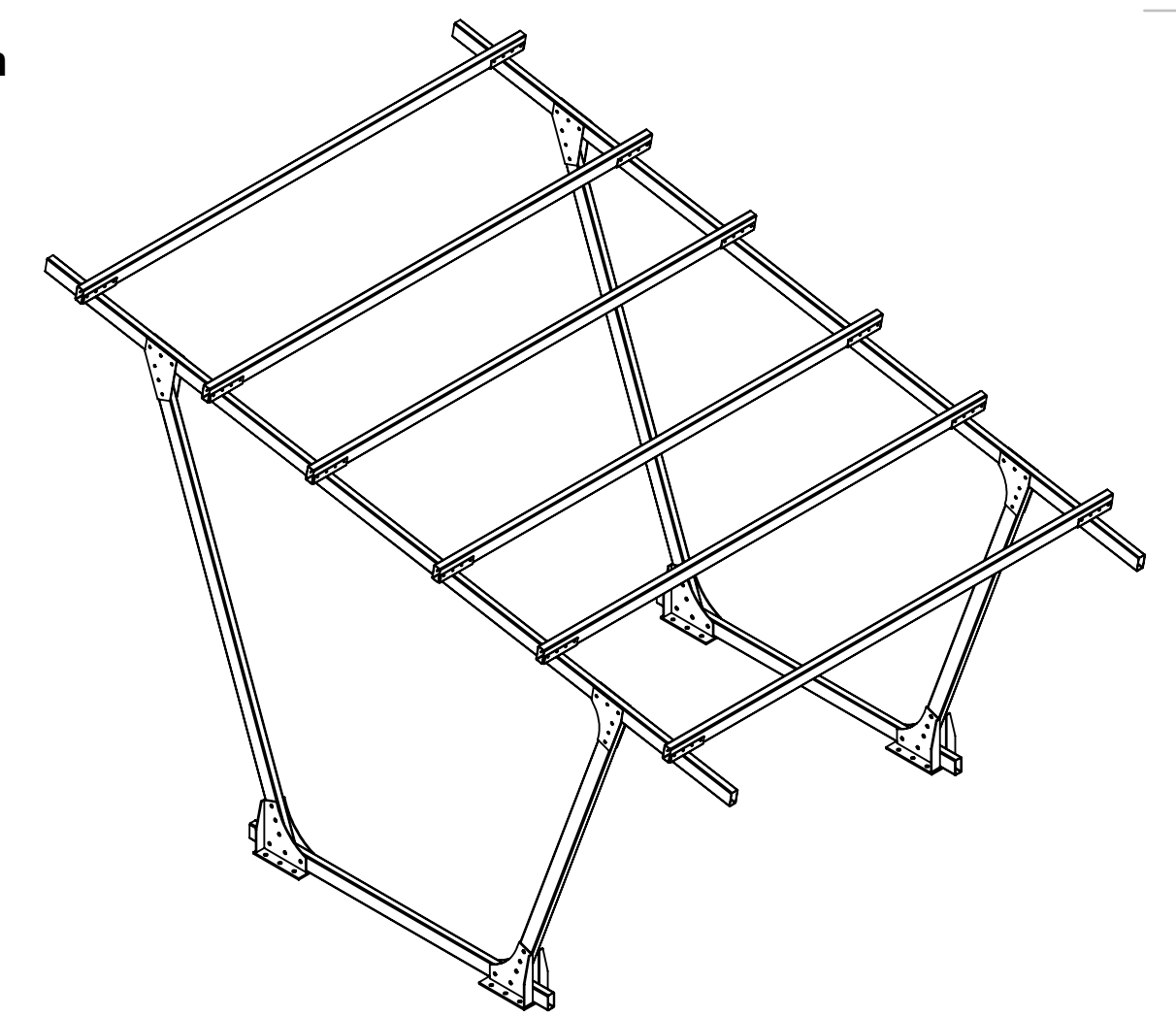
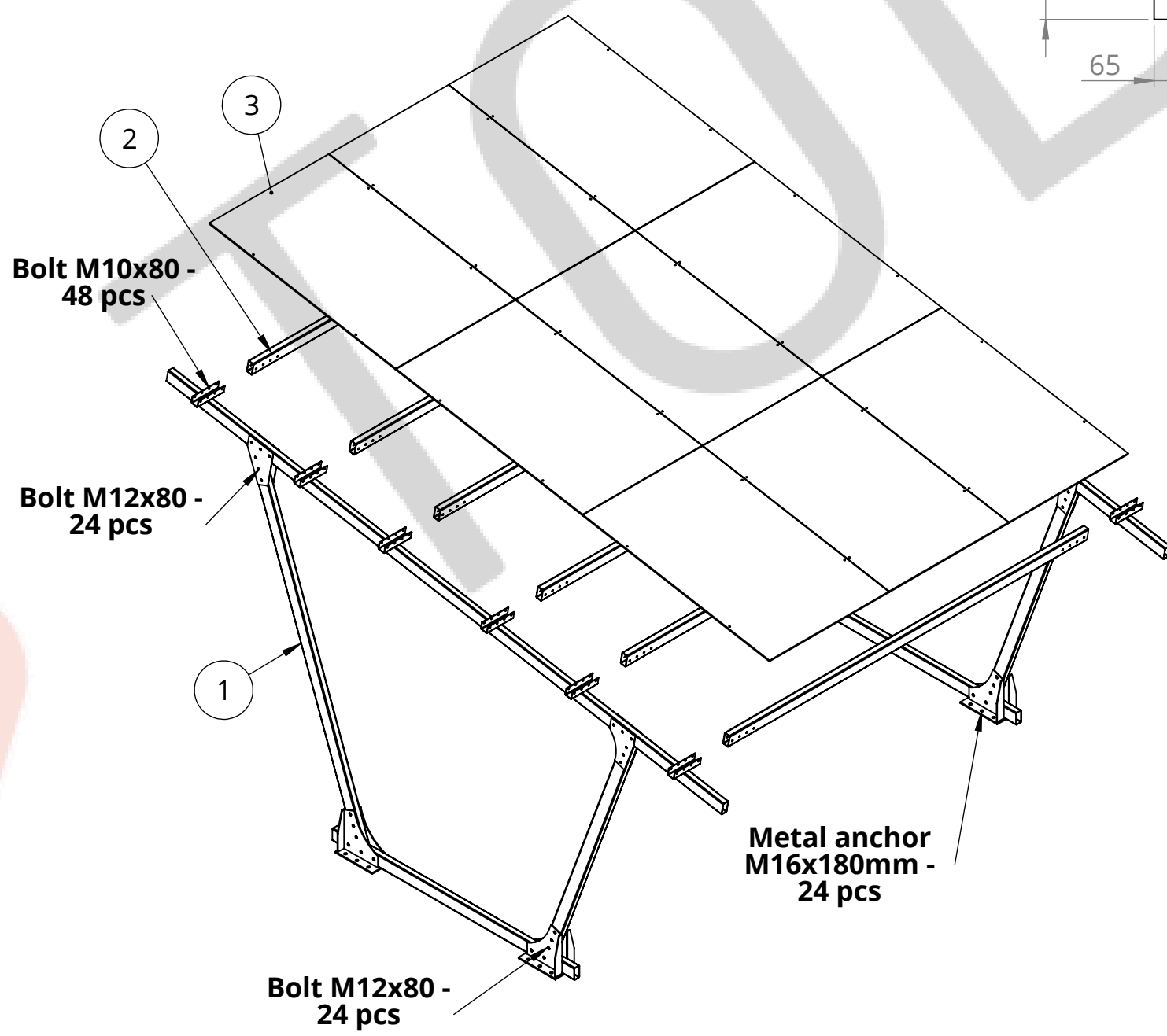
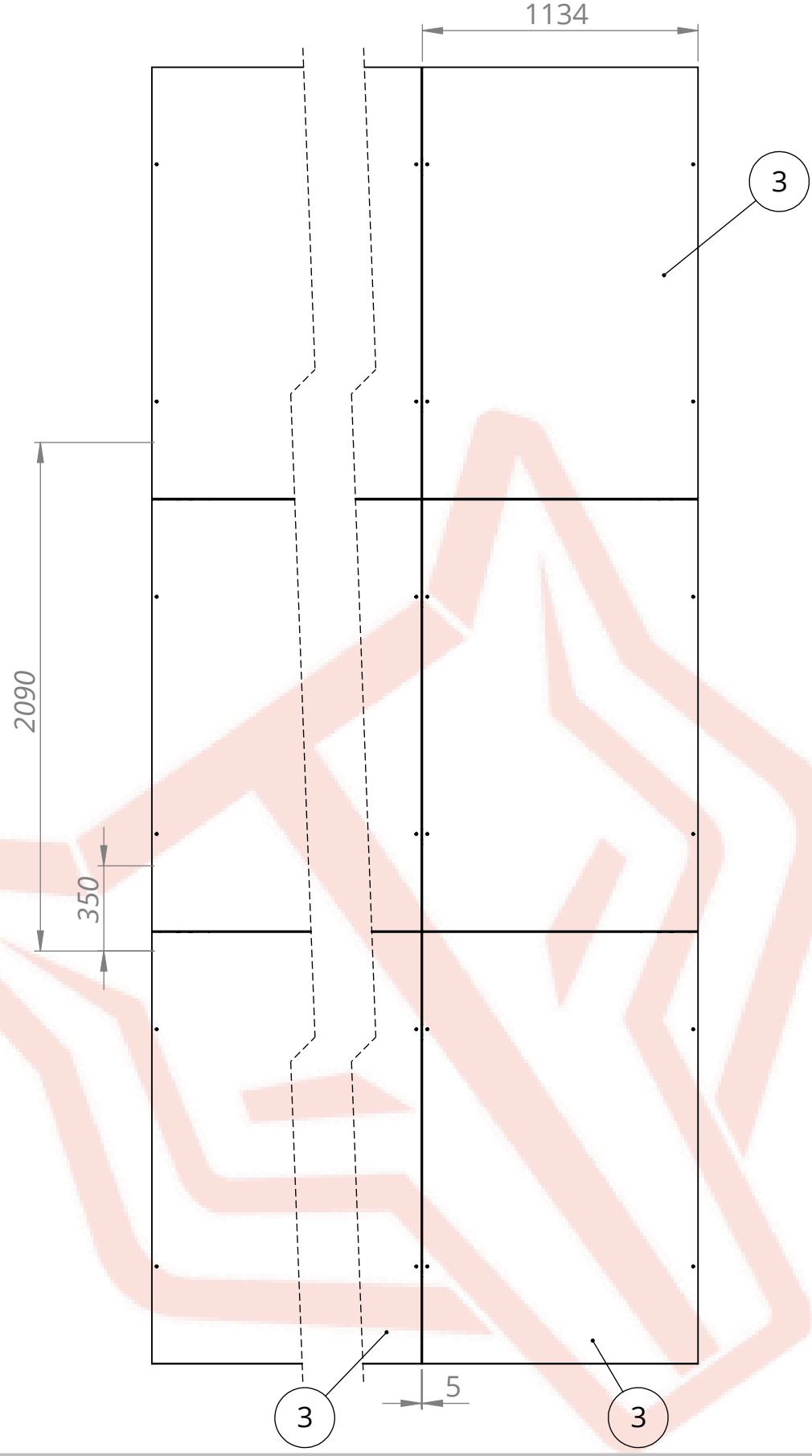
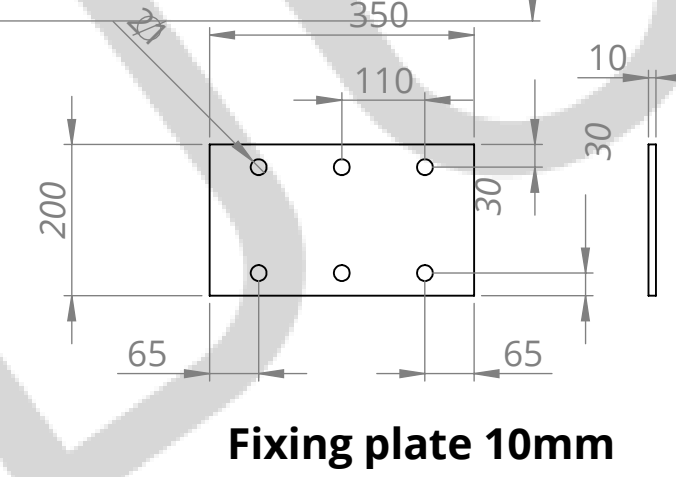


Position of fixing plate



ITEM NO.	PART NUMBER	DESCRIPTION	QTY.
1	Vertical elements		2
2	Horizontal post (Beam) L=5690MM	100x50x3	6
3	Panel template	1134 x 1800	9

CARPORT 02 - 1 PLACE