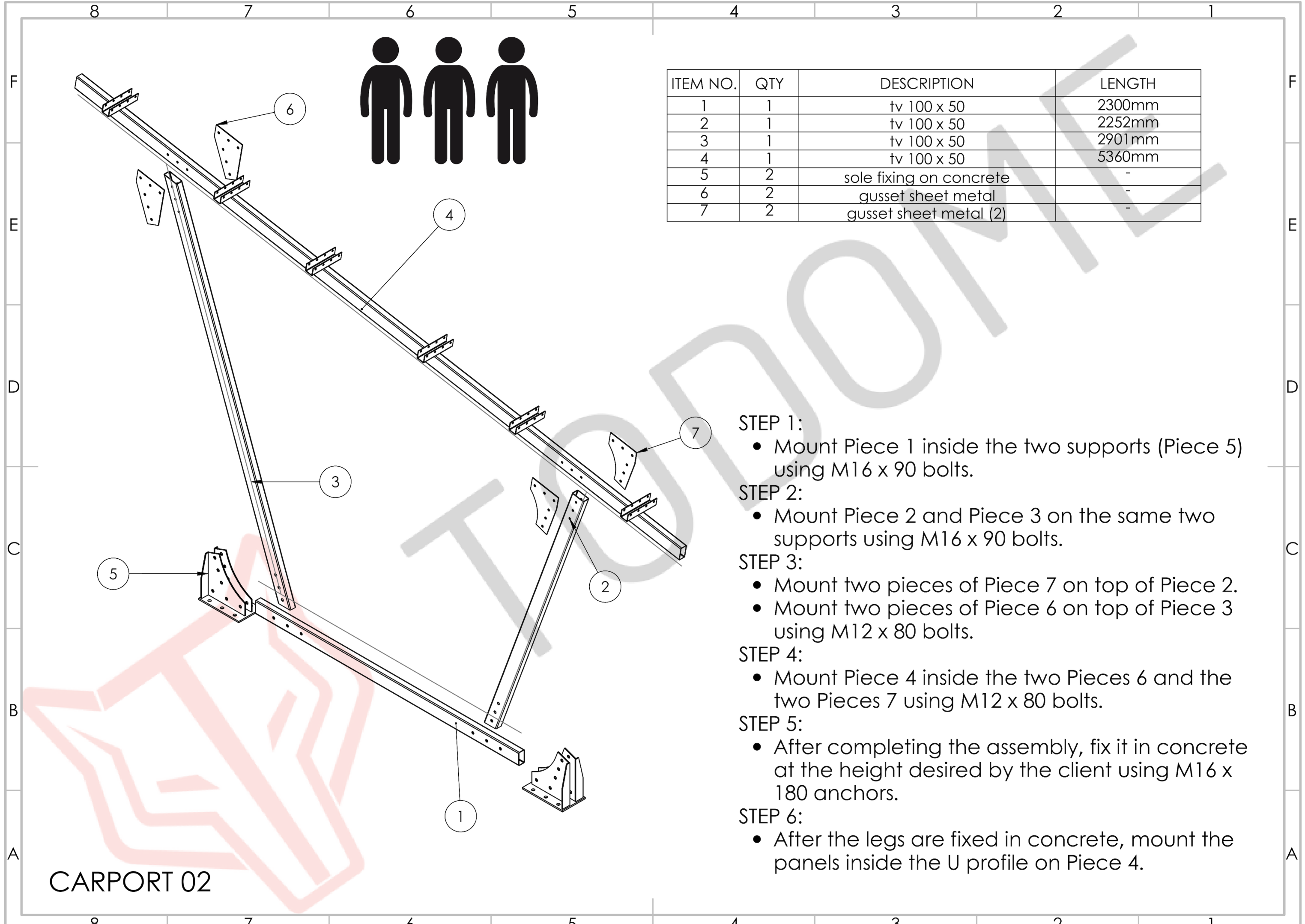




ITEM NO.	QTY	DESCRIPTION	LENGTH
1	1	tv 100 x 50	2300mm
2	1	tv 100 x 50	2252mm
3	1	tv 100 x 50	2901mm
4	1	tv 100 x 50	5360mm
5	2	sole fixing on concrete	-
6	2	gusset sheet metal	-
7	2	gusset sheet metal (2)	-



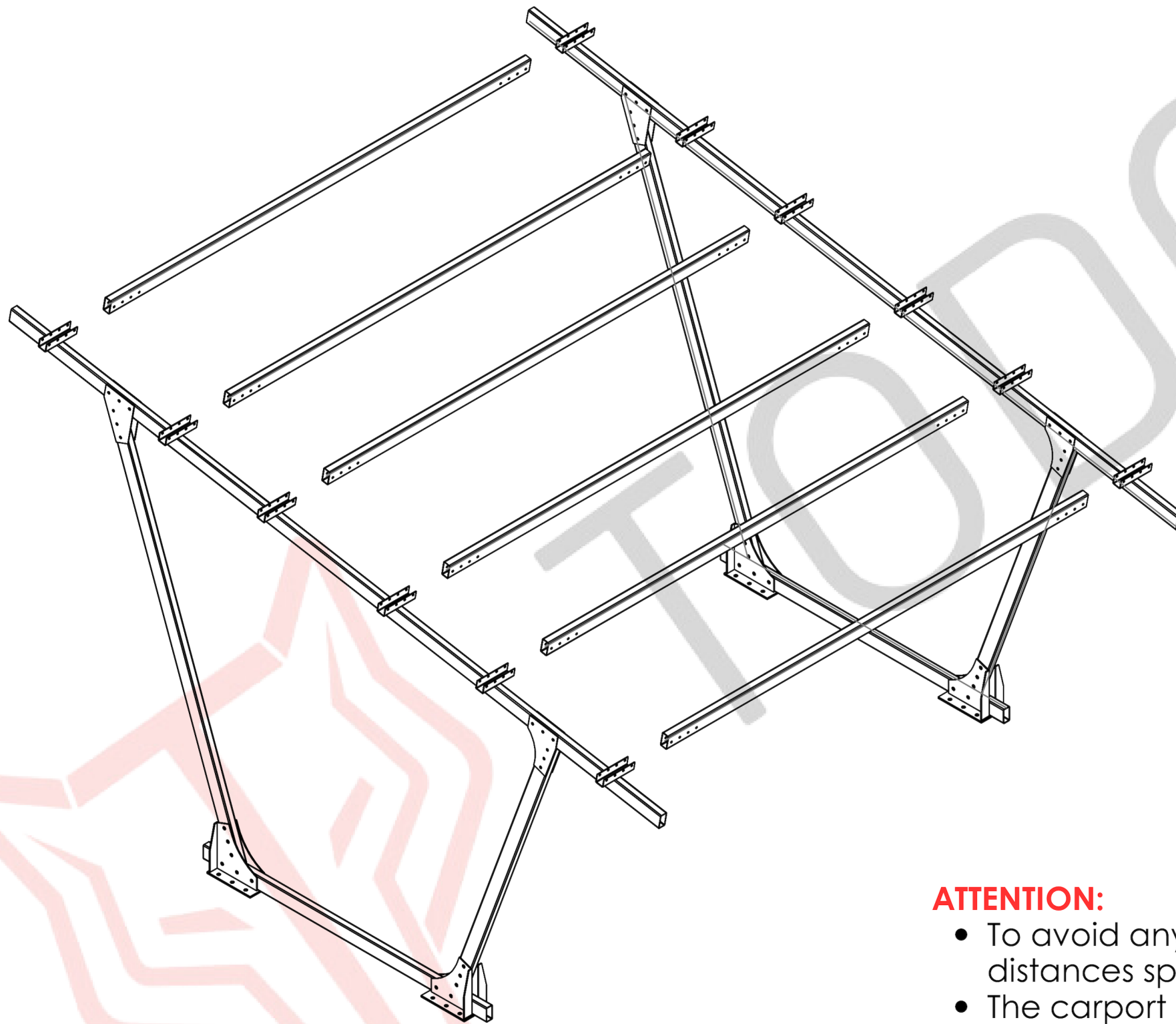
- STEP 1:**
- Mount Piece 1 inside the two supports (Piece 5) using M16 x 90 bolts.
- STEP 2:**
- Mount Piece 2 and Piece 3 on the same two supports using M16 x 90 bolts.
- STEP 3:**
- Mount two pieces of Piece 7 on top of Piece 2.
  - Mount two pieces of Piece 6 on top of Piece 3 using M12 x 80 bolts.
- STEP 4:**
- Mount Piece 4 inside the two Pieces 6 and the two Pieces 7 using M12 x 80 bolts.
- STEP 5:**
- After completing the assembly, fix it in concrete at the height desired by the client using M16 x 180 anchors.
- STEP 6:**
- After the legs are fixed in concrete, mount the panels inside the U profile on Piece 4.

CARPORT 02

## CARPORT 02 - 1 PLACE

### Final Step:

- For the Carport 02 model, the panels are made of TV 100 x 50 x 3 and will be delivered with pre-drilled holes.
- Attach the panels with M10 x 80 bolts, positioning them inside the U profile.



### ATTENTION:

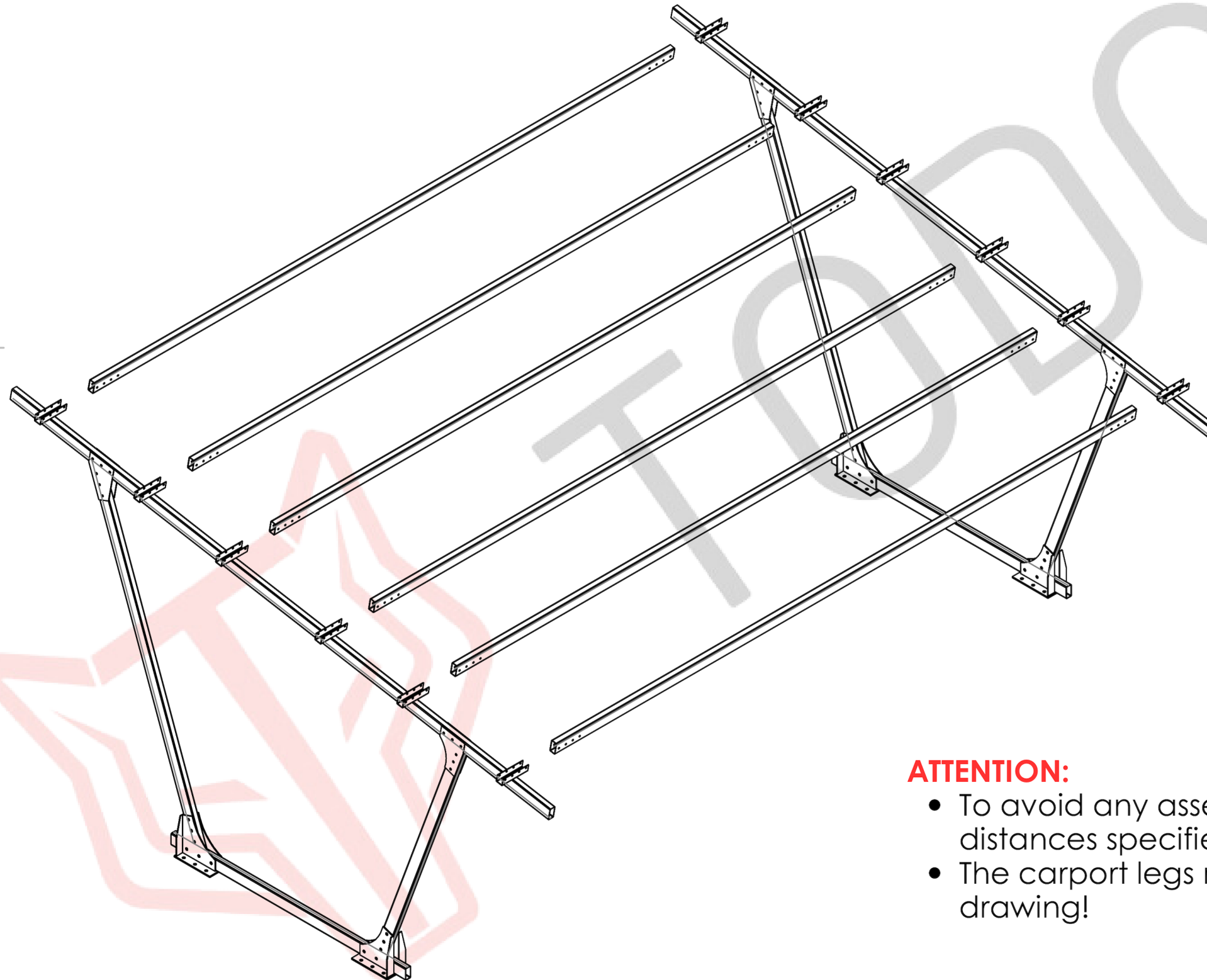
- To avoid any assembly errors, double-check the distances specified in the project multiple times.
- The carport legs must be at the distance specified in the drawing!



## CARPORT 02 - 2 PLACES

### Final Step:

- For the Carport 02 model, the panels are made of TV 100 x 50 x 3 and will be delivered with pre-drilled holes.
- Attach the panels with M10 x 80 bolts, positioning them inside the U profile.



### ATTENTION:

- To avoid any assembly errors, double-check the distances specified in the project multiple times.
- The carport legs must be at the distance specified in the drawing!