

| ITEM NO. | QTY. | DESCRIPTION | LENGTH |
|----------|------|-------------------------|--------|
| 1 | 2 | beam | 5405MM |
| 2 | 2 | vertical element | 2527MM |
| 3 | 2 | vertical element (2) | 2755MM |
| 4 | 1 | base plate for concrete | - |
| 5 | 2 | base plate for beam | - |

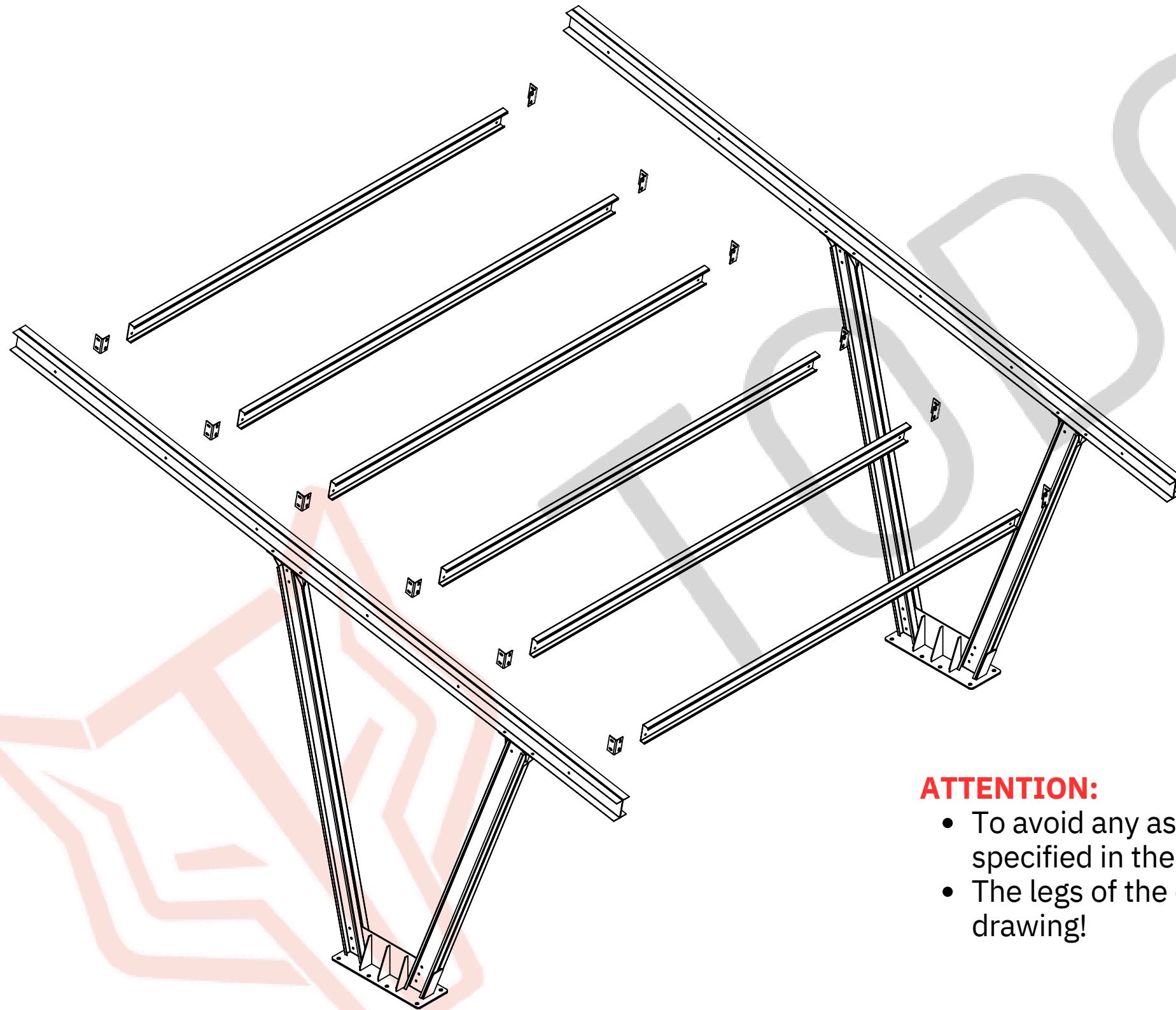
- STEP 1:**
- Mount both Piece 2 in a mirrored position, and attach Piece 4 (the base plate for concrete) inside both pieces using M12 x 40 bolts.
- STEP 2:**
- Mount both Piece 3 in a mirrored position, and attach Piece 4 (the base plate for concrete) inside both pieces using M12 x 40 bolts.
- STEP 3:**
- Mount two pieces of Piece 5 inside the upper part of Pieces 2 and 3 using M10 x 40 bolts.
- STEP 4:**
- Mount both Piece 1 (beam) in a mirrored position with M10 x 30 bolts, then attach the complete beam to Piece 5 using M10 x 30 bolts.
- STEP 5:**
- After completing the assembly, fix it in concrete at the height desired by the client using M16 x 250 anchors.
- STEP 6:**
- After the legs are fixed in concrete, mount the L profiles inside the beams, then attach the panels to the L profiles.

CARPORT 06

CARPORT 06 - 1 PLACE

Final Stage:

- The final stage of assembling Carport 06 is attaching the panels. For this model, the panels are made from C profiles (140 x 47 x 40) and will be delivered with pre-drilled holes.
- Attach the panels using M10 x 30 bolts on the L profiles, with the panels positioned inside the C profile (beam).



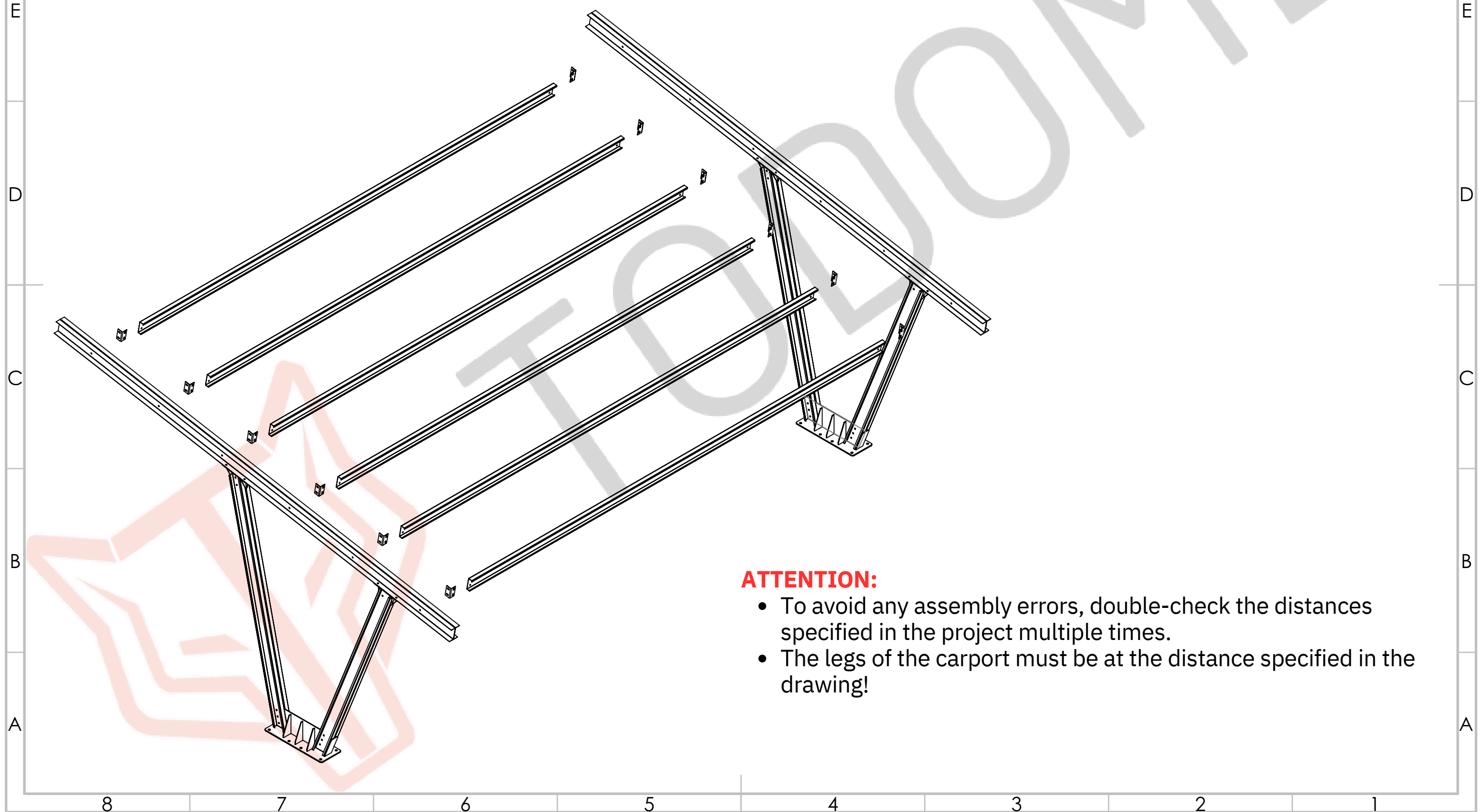
ATTENTION:

- To avoid any assembly errors, double-check the distances specified in the project multiple times.
- The legs of the carport must be at the distance specified in the drawing!

CARPORT 06 - 2 PLACES

Final Stage:

- The final stage of assembling Carport 06 is attaching the panels. For this model, the panels are made from C profiles (140 x 47 x 40) and will be delivered with pre-drilled holes.
- Attach the panels using M10 x 30 bolts on the L profiles, with the panels positioned inside the C profile (beam).



ATTENTION:

- To avoid any assembly errors, double-check the distances specified in the project multiple times.
- The legs of the carport must be at the distance specified in the drawing!